



## PM3100-T0

### GPON SFU with 1-port GbE LAN

The Zyxel PM3100-T0 GPON SFU features one GbE LAN for the downlink interface. Serving as a managed bridge, the PM3100 offers a cost-effective solution for service providers or system integrators to upgrade existing network and provide Gigabit broadband access.

### Benefits

#### Protect your investment while service upgrade

Thanks to its interoperability, the PM3100-T0 can connect to any layer-3 devices such as routers, WiFi APs, and home gateways. Given the rapid evolution of WLAN technology and gateway interface requirements, service providers can always deliver premium services with cutting-edge technology without changing the entire fiber network infrastructure.

#### Comprehensive QoS for superior network efficiency

Based on your service offerings to customers – you can freely define the QoS policies and prioritize mission-critical traffic. Defining the QoS will improve your customer's network efficiency and give them the super-fast multi-play service quality they want.



Gigabit data access via passive fiber



Compact design for flexible deployment



Remote management via TR-069 and OMCI



Zyxel-developed OPAL for superior flexibility and faster time to market



Comprehensive QoS for network efficiency

## TR-069 remote management for lower OPEX

Supporting the TR-069 remote management specifications, the PM3100-T0 empowers service providers to process remote configuration, upgrade software, run diagnostics and provide management – all from customer support offices located anywhere. This greatly reduces service expenses, all while enhancing customer satisfaction.

## Zyxel OPAL firmware realizes the flexibility and faster time to market

Compliant with the same OPAL firmware trunk applied in all Zyxel CPEs, the PM3100-T0 inherits a field-proven feature set including TR-069 and more. Service providers can ensure the same user experience, after migrating to new devices.

## Specifications

### System specifications

#### GPON compliance

- Complies with ITU-T G.984
- DS/US speeds: 2.488 Gbps (DS)/1.244 Gbps (US)
- Wavelength: 1490 nm (DS) & 1310 nm (US)
- Complies with class B+ type PMD
- Physical distance reach to 20 km
- Dynamic Bandwidth Allocation (DBA)
- Configurable AES DS and FEC DS/US
- GPON Encapsulation Method (GEM) supports Ethernet packet
- Supports GEM header removal/insertion and data extraction/segmentation (GEM SAR)
- Supports up to 32 T-CONs each with priority queues (US); supports up to 256GEM ports
- Flexible mapping between T-CONT and GEM port

#### Layer 2 networking features

- MAC filtering
- Multicast transparent
- IPv6 address transparent

#### Multicast

- IGMP v1/v2/v3 snooping
- IPv6 MLD v1/v2 snooping

#### Feature capability

- VLAN IEEE 802.1Q
- Ethernet port based VLAN tag and untag
- Supports protocol based VLAN
- 1:1 VLAN, N:1 VLAN, VLAN transparent bridge

- LAN port-based VLAN tag add and tag removal
- Q in Q VLAN
- Supports at most 64 concurrent configurable VLANs with VLAN ID between 1 and 4095
- Supports up to 2K MAC address entries

#### QoS

- Traffic classification and tagging via DSCP/VLAN/802.1P-bit
- Gem port rate limitation for US/DS traffic
- Per-port QoS and CoS mapping according to IEEE 802.1q and IEEE 802.1p priority
- SP/WRR/SP+WRR

#### Security

- MAC filtering

#### Management

- Standard OMCI (ITU-T G.988)
- Web GUI (HTTP/HTTPS)

### Hardware specifications

- WAN: One GPON uplink with SC/APC connector
- LAN: One 10/100/1000 auto MDI/MDI-X RJ-45
- Reset: one reset/restore factory default button
- Power switch: one push type button
- LEDs indicators:
  - Power
  - PON
  - LOS
  - LAN
- Power supply: 12 V DC/1 A

### Power consumption

- 12 Watt max

### Physical specifications

- Item dimensions (WxDxH): 130 x 120 x 42 mm (5.11" x 4.72" x 1.65")
- Item weight: 170 g (0.38 lb.)
- Packing dimensions (WxDxH): 240 x 140 x 40 mm (10.39" x 5.59" x 1.69")
- Packing weight: 452 g (0.97 lb.)

### Environmental specifications

#### Operating environment

- Temperature: 0°C to 40°C (32°F to 104°F)
- Humidity: 10% to 90% RH (non-condensing)

#### Storage environment

- Temperature: -30°C to 70°C (-22°F to 158°F)
- Humidity: 10% to 95% RH (non-condensing)

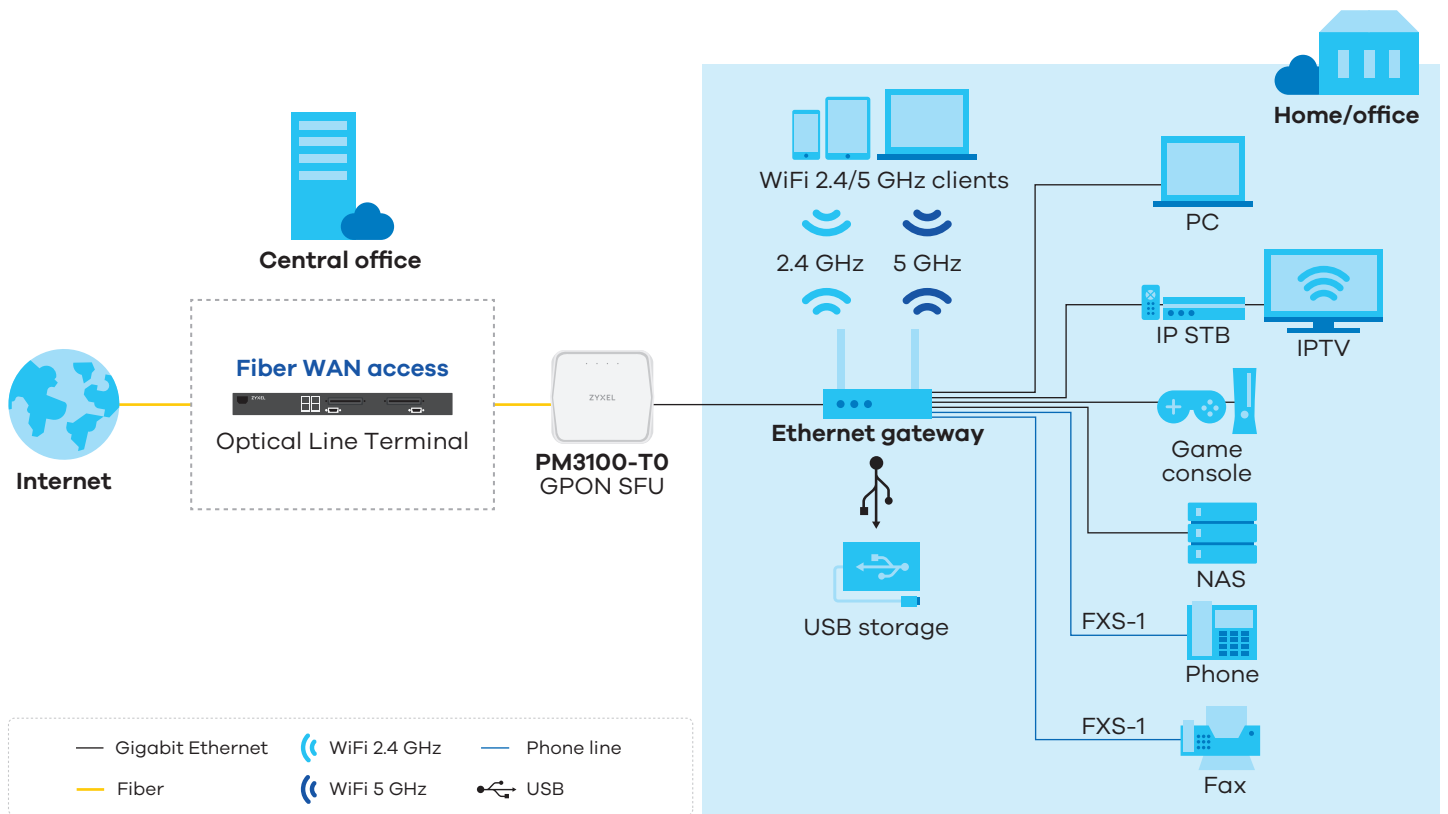
### Certification

- EMC: CE
- Safety: CE LVD
- Energy saving: ErP

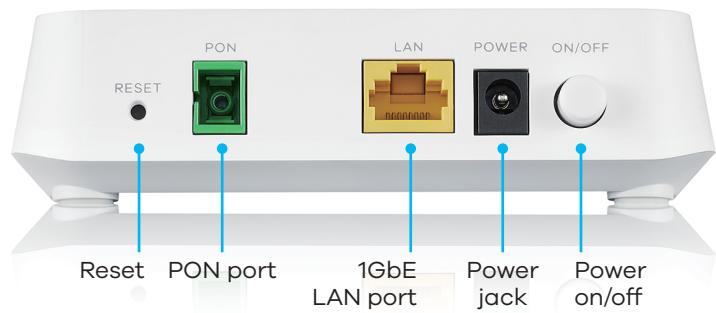
### Package contents

- Device
- Power adaptor
- Ethernet cable
- Safety warning & DoC letter
- Quick start guide

## Application diagram



## Hardware description





For more product information, visit us on the web at <https://service-provider.zyxel.com>

Copyright © 2021 Zyxel and/or its affiliates. All rights reserved.  
All specifications are subject to change without notice.



17/12/21

Datasheet [PM3100-T0](#)