

# BOOSTRAL 7620

Segmentable optical node 1x1, 1 active output, 1.2 GHz / 200 MHz



## FORWARD PARAMETERS

Wavelength	1260 - 1620 nm
Bandwidth	85...258 - 1218 MHz
Optical input power range	-9.9 - 2 dBm
Optical AGC range	-7 - 0 dBm
Flatness <sup>1</sup>	±0.5 dB
Equivalent Input Noise Current <sup>2</sup>	5 pA / √Hz
Output level: <sup>3</sup>	
CTB ≤ -60 dBc	117 dBμV
CSO ≤ -60 dBc	119 dBμV
U <sub>max</sub> <sup>4</sup>	112 dBμV
Gain limited output level <sup>5</sup>	2 x 119 dBμV
Number of outputs <sup>6</sup>	1 active, up to 2 with passive splitting

## RETURN PARAMETERS

Bandwidth	5 - 65 ... 204 MHz
Flatness <sup>7</sup>	±0.5 dB
Optical output power <sup>8</sup>	3 or 6 dBm ± 0.5 dB
Min RF input level to get 10% OMI <sup>9</sup>	70 dBμV
NPR / Dynamic range <sup>10</sup>	40 dB / 5 dB

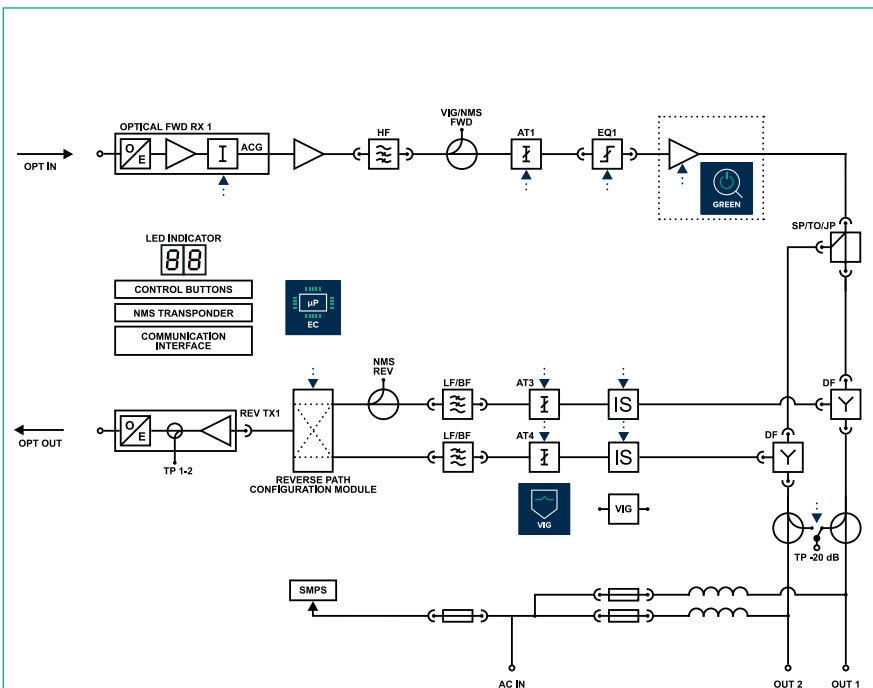
## OTHERS

Return loss <sup>11</sup>	> 18 dB
AC voltage range: remote powering	30 - 65 V AC
Max. current for RF / AC IN ports	10 / 15 A
Power consumption <sup>12</sup>	< 27 W
Operation temperature range	-40 - 60 °C
Optical connectors	SC / APC
RF connectors	2 x PG11
Protection class	IP 67
Dimensions (W x L x H)	255 x 234 x 128 mm
Weight	< 4.0 kg

## AVAILABLE VERSIONS

BOOSTRAL 7620 289Y	remote powering; max. config: 1Rx x 1Tx
--------------------	---

- 1.2 GHz technology**  
An extended bandwidth in downstream up to 1.2 GHz; DOCSIS 3.1 standard compliant
- 200 MHz technology**  
A possibility of extending bandwidth in upstream up to 200 MHz
- GaN Technology**  
The Output parameters for analog and digital carriers improved for lower power consumption
- Electronic control**  
A quick and uninterrupted device configuration
- VMC (VECTOR Mobile Commander)**  
Convenient and user-friendly configuration through mobile devices
- Electronic adjustment**  
Easy configuration by using buttons and LED Indicator
- NMS transponder**  
Reduced operating costs thanks to the remote monitoring and configuration
- VIG (VECTOR Ingress Guard)**  
System compliant; Verification and elimination of the source of ingress in the network
- Integration of optical passives**  
A possibility of installing CWDM / DWDM / WDM filters inside the housing
- GREEN mode**  
A significant reduction of power use thanks to optimization of its consumption



**Downstream Configuration:**  
 Interstage gain control (AT1): 0 - 20, step 0.5 dB  
 Interstage slope control (EQ1): 0 - 20, step 0.5 dB

**Upstream Configuration:**  
 Input gain control (AT3, AT4): 0 - 20, step 0.5 dB  
 Ingress switches: 0, -6, -∞ dB

1. In range 85 - 600 MHz; ± 0.75 dB in range 600 - 1006 MHz; ± 1.0 dB in range 1006 - 1218 MHz
2. Typical value; the worst case 6 pA / √Hz
3. According to EN 50083-3, 9 dB slope between 85 to 862 MHz, 42 channels CENELEC, typ. value
4. Full digital load 258 - 1218 MHz, 120 channels QAM 256, 12 dB slope
5. AGC on, 3.25% OMI, - 7 dBm optical input level, 1310 nm
6. Unbalanced split with splitter / tap out
7. Up to 85 MHz; ± 0.75 dB up to 204 MHz
8. For CWDM lasers, up to 16 wavelengths are available in 3 dBm version and 8 wavelengths are available in 6 dB version
9. With AT3, AT4, AT5, AT6 = 0 dB regardless of US configuration
10. Measured with 12dB link (15 km fiber + loss), 60MHz BW noise load, EINC 7pA / √Hz
11. In 5 - 65 MHz; 18 dB for f < 40 MHz; 18 dB -1.5 dB / oct for f > 40 MHz, but > 11 dB
12. 50V AC; Configuration: 1 x FWD Rx, 1 x 6 dBm CWDM lasers, EDCM

Unless otherwise specified, the whole specifications are tested with 65 / 85 duplex filters installed; at room temperature 25°C and present typical values...